

ELEKTRA
WoodTec™
HEATING MATS



Designed to be installed
under laminate flooring and/or
engineered wood

Installation manual



UK 

Instrukcja montażu



PL

Инструкция по монтажу



RU

Purpose

The *ELEKTRA WoodTec*[™] heating mats are designed to provide heating of floors made of laminated floorboards and/or engineered wood. They can be used as a supplementary heating system to achieve the warm floor.

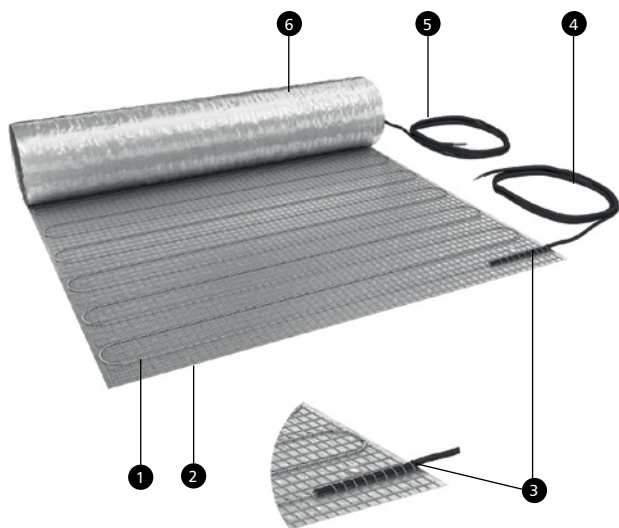
In very well insulated buildings they may be installed as the primary heating system.

Specification

The *ELEKTRA WoodTec*[™] heating mats are produced as pre-assembled installation units with dimensions of 50 cm (width) x 4.0 to 26.0 m (length). There are heating cables attached to a fiberglass mesh and covered with aluminum foil on the reverse side. The aluminum foil provides a protective shielding for the heating cables. It is possible to install multiple mats in one room. In such a case, the mats should be electrically connected in parallel.

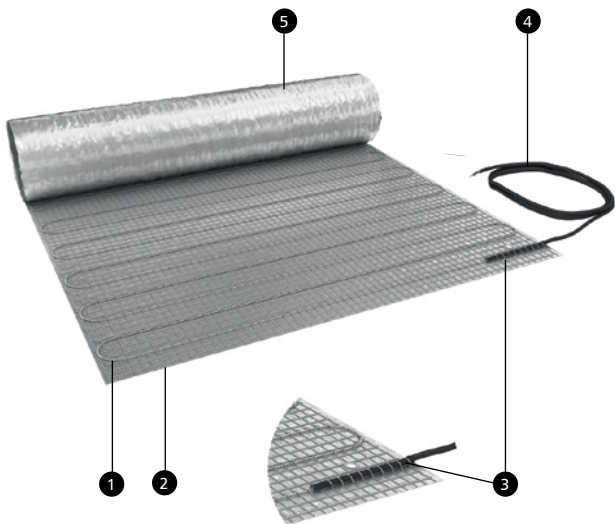
The *ELEKTRA WoodTec₁*[™] heating mats are **1.9mm** thick and have 4.0m cold tails at both ends.

The *ELEKTRA WoodTec₂*[™] heating mats are **2.8mm** thick and have a 4.0m cold tail at one end, and a joint at the other.



ELEKTRA WoodTec₁™ heating mat

- ① Heating cable
- ② Fiberglass mesh
- ③ Heating cable joint to cold tail
- ④ Shielded (PE) cold tail (L – black or brown)
- ⑤ Shielded (PE) cold tail (N - blue)
- ⑥ Aluminum shield



ELEKTRA WoodTec₂[™] heating mat

- ① Heating cable
- ② Fiberglass mesh
- ③ Heating cable joint to cold tail
- ④ Shielded (PE) twin conductor cold tail
(L – black or brown, N - blue)
- ⑤ Aluminum shield

Note:



The power output of the heating mats can vary +5%, -10% from the provided nominal specifications.

The heating mats suitable for use with a 230V/50Hz power supply.

Following symbols are used on rating labels of the **ELEKTRA WoodTec™** heating mats:



Double-sided
power supply
(**ELEKTRA WoodTec₁™**)



Single-sided
power supply
(**ELEKTRA WoodTec₂™**)



Heating mat with
foil facing up



Direct in-floor
heating

Materials and tools

required for installation

- The **ELEKTRA WoodTec™** – included heating mat
- Flexible Conduits
1.5 and 2.5 m in length – included
- Deep installation box – included

- 2 electrical connectors
(**ELEKTRA WoodTec₁™** only) – included
- Strips of aluminum self-adhesive tape with conductive adhesive – included
- Temperature controller – included
option

- Scissors/cutters
- Ohmmeter (multimeter)
- Tools for cutting chases in walls and floors

Caution:



Never cut heating cables. Only the plastic mesh and aluminum foil may be cut.

Never shorten the mats. Only cold tails may be made shorter, if necessary.

Never attempt to repair the heating cables. If damage occurs to the heating cables, contact an ELEKTRA-authorized installer.

Caution:



Never apply excessive tension to the heating mat. Do not hammer the mat with sharp tools.

Never bend the joint and end seal.

Never install the heating mat if the ambient temperature drops below -5°C .

Never install the mats in places where fixed furniture items are planned to be placed (such as wardrobes without feet).

Never use installation materials other than those specified in the installation manual.

Never use nails or screws for installation.

Caution:



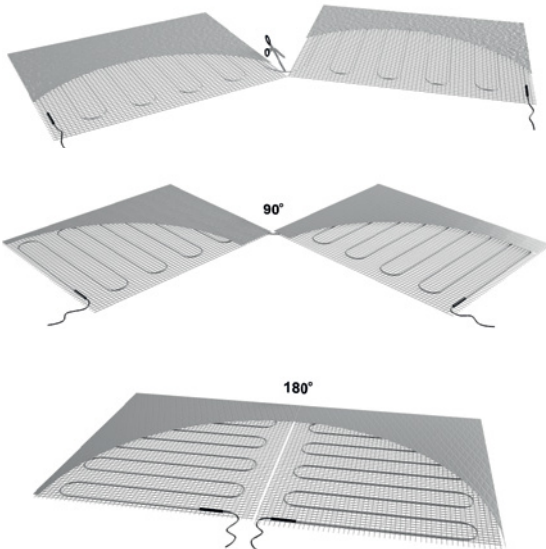
Always install the heating mat according to the installation manual.

Electrical connection of the mat **must be** performed by a certified electrician.

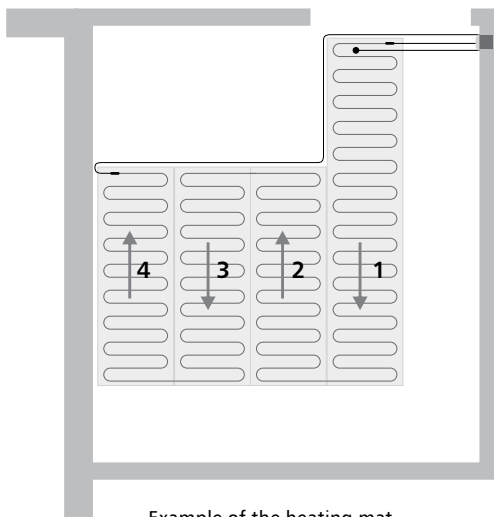
The heating mat **should be** placed at least 50mm away from other heat sources (e.g. hot water pipes).

Choosing the right heating mat

Before choosing the heating mat(s) for a room (the heating mats come with a fixed width of 50 cm), plan their arrangement on the floor or on the selected floor areas. The heating mats must not be laid in places where fixed pieces of furniture will later stand. The heating mats can be cut to a desired shape and then laid out in various directions. While cutting the mat, cut the fiberglass mesh and aluminum foil but never the heating cables.



Laying out a custom-shaped heating mat



Example of the heating mat layout in a kitchen

Choosing the temperature controller

A temperature controller is a core component of any floor heating. The controller connects the mat with the electrical system and ensures that the required temperature of the floor or ambient air in the room is maintained.

- If the heating mats serve as a supplementary heating source in the room and the user desires merely to enjoy a warm floor feeling, then a controller equipped with a floor temperature sensor is sufficient to keep the required temperature of the floor.
- If the heating mats are the primary heating source in the room, then what the user usually wants is the optimum ambient temperature. In such a case, a temperature controller that can measure air temperature should be installed. Such a temperature controller should be equipped with both an air temperature sensor and an additional floor temperature sensor (while measuring the ambient temperature, it protects the floor and the heating mat from overheating).

For temperature control, either a manual electronic controller may be used which keeps constant temperature or a programmable electronic controller which can be programmed in a daily and/or a weekly cycle.

Heating type	Temperature controller type	
	Electronic manual	Electronic programmable
Supplementary for the warm floor	ELEKTRA OTN 1991 OTD2 1999	ELEKTRA OWD5 1999 OCD4 1999 OCD5 1999 DIGI2p
Primary	ELEKTRA OTD2 1999	ELEKTRA OWD5 1999 OCD4 1999 OCD5 1999



Temperature sensor

Temperature controller may be installed under a common faceplate with a lighting switch (not applicable in the UK).

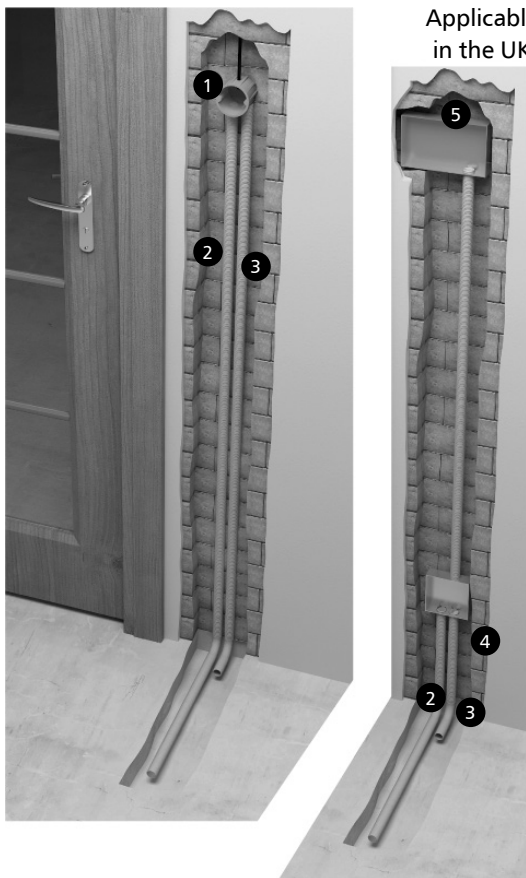
Step 1 – preparation

As preparation for the installation take the following steps:

1. Choose a location for the temperature controller. For aesthetic and practical reasons, it is best to install the controller next to the lighting switches (e.g. under a common faceplate).
2. Install a deep installation box for the temperature controller.
3. Install a suitable 3-wire power supply to the thermostat position / installation box. Connect the power cable.
4. Install 2 flexible conduits (Ø 15mm) between the installation box and the floor. The flexible conduits should be laid in the previously made chases in the wall and in the floor. Depth of the groove should be 10-12mm. Later, when the heating mat is installed, the temperature sensor cable will be fed into one of the flexible conduits and the cold tails to the other.

The flexible conduits must not be sharply angled at the meeting point of the wall and the floor. Make sure that a smooth curve is provided.

- 1 Deep installation box for the temperature controller
- 2 Flexible Conduit for the floor temperature sensor
- 3 Flexible Conduit for the power leading to the heating mat



- ④ Single Installation Box for multiple mat connections (if required).
- ⑤ Dual Installation Box for thermostat and fused connection unit (spur).

Step 2 – laying the heating mat

A floor prepared for laminate flooring and/or engineered wood should be even, smooth, dry, and stable (max. permissible level deviations are 2 mm/sq. m).

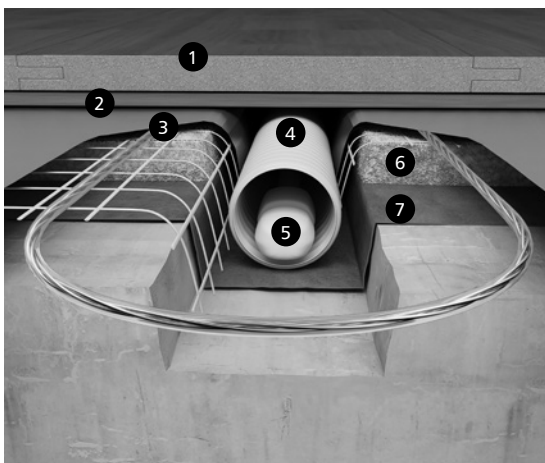
1. Lay the Vapour Barrier over the prepared floor surface. The Vapour Barrier thickness should be at least 0.2 mm. Provide at least 20 mm wide overlaps between vapour barrier sheets. Turn up the edges of the vapour barrier sheets against the walls up to 5 cm.

Before laying the insulating underlay and heating mat, feed the temperature sensor wire into the installed flexible conduit. Place the temperature sensor under the heated surface. Later, to ensure that the floor is even and level and the temperature readings by the sensor are correct. You will have to cut out a section of the insulating underlay and the fiberglass mesh of the heating mat, located above the flexible conduit in the floor. The closer to the Laminate flooring and/or engineered wood the temperature sensor is placed, the more accurate reading it will obtain. Also, feed the temperature sensor cable into the installation box.

Caution:



The temperature sensor cable should be positioned just between the mat's heating cables.

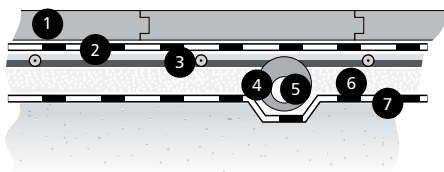


Temperature sensor installation

- 1 Laminate flooring and/or engineered wood
- 2 Protective layer (PE sheet)
- 3 The **ELEKTRA WoodTec™** heating mat
- 4 Flexible conduit
- 5 Floor sensor
- 6 Insulating underlay
- 7 Vapour Barrier (PE sheet)

2. Place insulating underlay of at least 6 mm thickness over the vapour barrier.

When choosing material for the insulating underlay, take its heat dissipation properties into consideration. The better the heat dissipation, the shorter the time to warm up the laminate flooring and/or engineered wood. Extruded polystyrene (XPS) insulating underlay meets these requirements optimally.



- 1 Laminate flooring and/or engineered wood
- 2 Protective layer (PE sheet)
- 3 The **ELEKTRA WoodTec™** heating mat
- 4 Flexible conduit
- 5 Floor sensor
- 6 Insulating underlay
- 7 Vapour Barrier (PE sheet)

3. It is now time to lay out the heating mat.
Always lay out the heating mat with its aluminum foil facing up.

Caution:



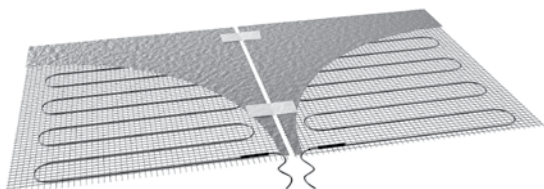
The leveling layer in the area destined for built-in furniture or in the unheated area (where no heating mat is laid) should be 2 mm thicker or filled up with an additional 2 mm layer preventing creation of bumps on the panel in the place where the heating mat is laid.

With the heating mat in place, cut grooves in the insulating underlay and in the floor if necessary to compensate for the extra thickness of the heating mat's cold tails so as to obtain level surface. Lead the cold tails of the heating mat alongside the wall and into the installation box where the temperature controller will be housed. If the cold tails are too short, they can be extended. Feed the cold tails into the

flexible conduits and into the installation box. Where the cold tails meets the heating cable, cut a groove in the floor to compensate for an added thickness of the connector. If the cold lead are too short they can be extended.

A “draw wire” can be used to feed cables into the flexible conduit.

If the aluminum foil was cut when the heating mat was customized, use min. 2 strips of self-adhesive aluminum tape with the conductive adhesive to join the heating mat sheets as shown in the picture. The aluminum foil serves as shielding for the heating cables, therefore the sheets must be electrically connected.



Joining the cut aluminum foil sheets

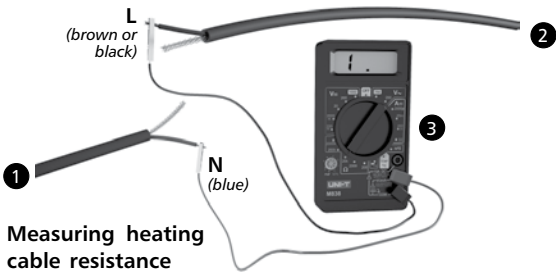
4. With the heating mat in place a protective layer (polyethylene foil, 0.2 mm) has to be laid out on top.
5. With the heating mat installed measure:
 - the heating wire resistance
 - mat's insulation resistance
 - mat's shielding (aluminum foil) continuity (if the aluminum foil has been cut during the heating mat layout).

These measurements will have to be completed in the Warranty Card and repeated after the floorboards have been installed and their results compared.

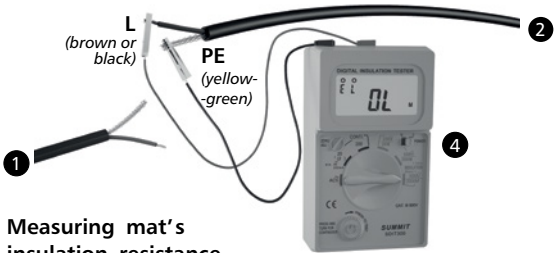
Measurements

- ❶ Cold Tail
- ❷ Cold Tail
- ❸ Ohmmeter (multimeter)
- ❹ Megaohmmeter
- ❺ Aluminum shield

ELEKTRA WoodTec¹™ measurements



Measuring heating cable resistance

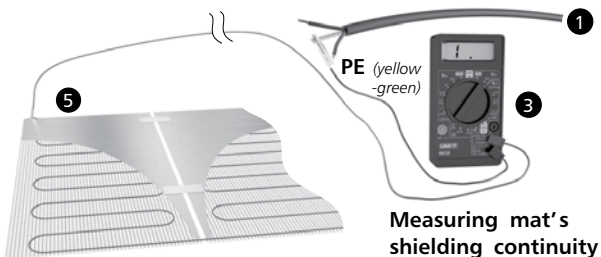
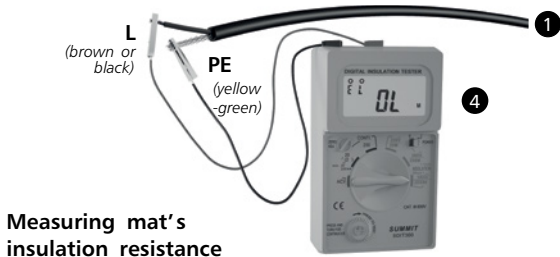
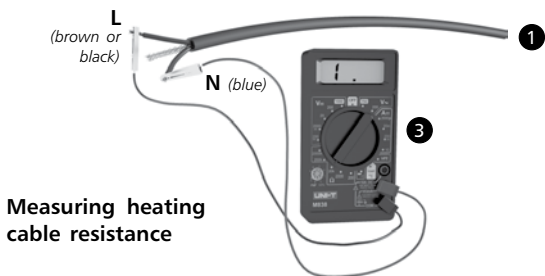


Measuring mat's insulation resistance



Measuring mat's shielding continuity

ELEKTRA WoodTec2™ measurements



The shielding continuity measurement has to be done by means of an ohmmeter (multimeter). The resistance between the PE wire of the cold tail and the end of the aluminum foil has to be measured.

STEP 3 – laying laminate flooring and/or engineered wood

After the heating mat is laid, the temperature sensor installed, and the cold tails and the temperature sensor cords fed into the installation box, you can lay the laminate flooring and/or engineered wood.

STEP 4 – installing the temperature controller

Before you can connect the heating mat(s) to the household wiring, through the temperature controller. Perform again the resistance measurements of the heating cable and insulation and of shielding continuity in order to make sure that the heating mat has not been damaged during the installation of the laminate flooring and/or engineered wood. Note the measurements on the Warranty Card.

Connection of the heating mat with the household wiring should be made by a certified electrician.

Follow the temperature controller's manual when connecting the household wiring, the cold tails of the heating mat, and the temperature sensor wire to the temperature controller inside the installation box.

Caution:



The heating mat's earth cables (PE) should be connected to the earth (yellow and green) of the household wiring with a special terminal $\underline{\perp}$ on the temperature controller. If there is no such terminal on the temperature controller's housing, the connection should be made separately using a wire connector which will be placed in the installation box. If several heating mats were installed in the room, connect them in parallel, i.e. cables with the same markings should lead to the same terminals on the temperature controller.

Shock protection

The electrical system, to which the heating mat is connected should be equipped with a residual current device (RCD) rated at $\Delta \leq 30\text{mA}$.

Operation

The floor temperature of the heating system is limited by setting the desired temperature in the controller.

Note that the entire floor or a large part of it serves as a heater. Hence, heat dissipation

from the floor should always remain unhindered by furniture or by the way the room is used.

For that reason, do not place large footprint objects on the heated sections of the floor, such as mattress or furniture pieces without feet which have large contact surface with the floor.

Holes can be drilled in the floor only after the exact arrangement of the heating cables has been determined (based on the as-built documentation or measurements taken with a special detector).

Warranty

ELEKTRA provides a 20-year Warranty (from the purchase date) for the ELEKTRA WoodTec™ heating mats.

Warranty conditions

1. For the warranty to apply, the following is required:
 - a) the heating system was installed in compliance with this manual
 - b) connection of the heating mat and temperature controller to the electrical system of the house as well as resistance measurements of the heating cable and shielding continuity were performed by a certified electrician

- c) Warranty Card with required entries is included
 - d) Proof of purchase for the heating mat is included
 - e) electrical system supplying power to the heating mat is equipped with a circuit breaker
2. The Warranty is void if persons other than an ELEKTRA-certified installer attempted to repair the product.
3. The Warranty does not cover:
- a) mechanical damage
 - b) damage due to unsuitable power supply
 - c) damage resulting from electrical connection performed in violation of the regulations in force
4. As part of the Warranty service, ELEKTRA undertakes to reimburse all costs incurred solely in connection with repairing a defective heating mat.

Note:



Warranty claims with included Warranty Card and the retail sales receipt must be filed with the dealer or with the ELEKTRA Company.

Warranty Card

Customer shall keep this Warranty Card throughout the entire warranty period of 20 years. The warranty period starts from the date of product purchase.

ELEKTRA
WoodTec[™]

INSTALLATION SITE

Address		
Post Code		City

Warranty claims with included Warranty Card and the retail sale receipt must be filed with the dealer.

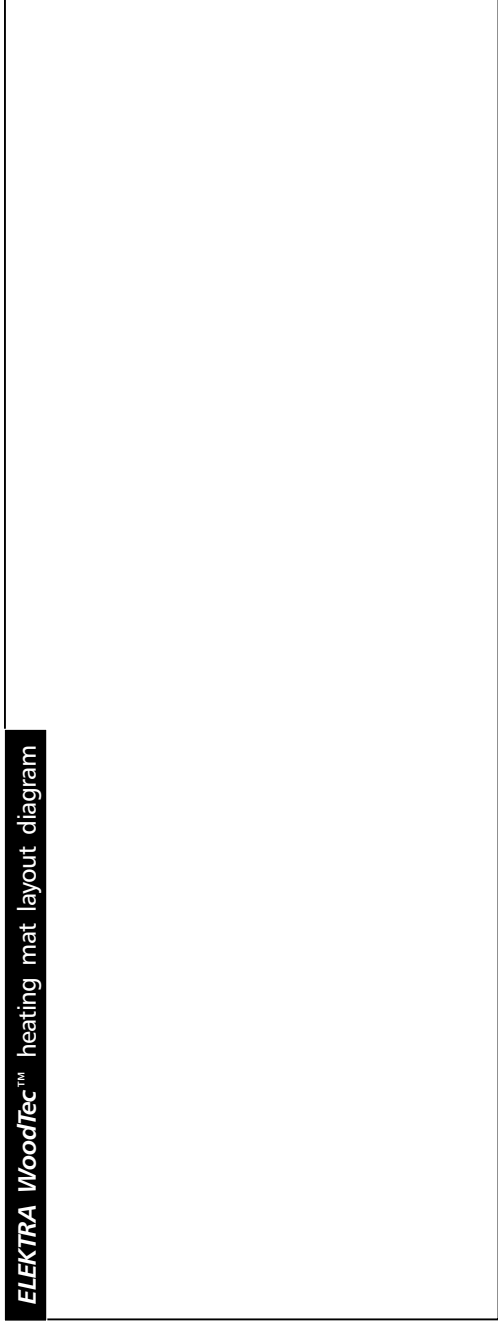
TO BE FILLED BY INSTALLER

Name, Surname			Electrician's Certificate #
Address			e-mail
Zip Code		City	phone #
			fax #

Note: Installer has to provide as-built documentation to the user.



ELEKTRA WoodTec™ heating mat layout diagram



Note: The layout diagram must include distances between the heating mat and walls and fixed furniture with a clearly marked position of the temperature sensor and of heating cables.



Results of measurements													
Heating wire's resistance	<table border="1"> <tr> <td>after the heating mat has been laid</td> <td>Ω</td> </tr> <tr> <td>after the floor has been completed</td> <td>Ω</td> </tr> </table>	after the heating mat has been laid	Ω	after the floor has been completed	Ω								
after the heating mat has been laid	Ω												
after the floor has been completed	Ω												
Heating cable's insulation resistance	<table border="1"> <tr> <td>after the heating mat has been laid</td> <td>MΩ</td> </tr> <tr> <td>after the floor has been completed</td> <td>MΩ</td> </tr> </table>	after the heating mat has been laid	M Ω	after the floor has been completed	M Ω								
after the heating mat has been laid	M Ω												
after the floor has been completed	M Ω												
Shielding continuity resistance value below 0.2 Ω	<table border="1"> <tr> <td>after the heating mat has been laid</td> <td> <table border="1"> <tr> <td>YES</td> <td><input type="checkbox"/></td> </tr> <tr> <td>NO</td> <td><input type="checkbox"/></td> </tr> </table> </td> </tr> <tr> <td>after the floor has been completed (applies only to ELEKTRA WoodTecTM)</td> <td> <table border="1"> <tr> <td>YES</td> <td><input type="checkbox"/></td> </tr> <tr> <td>NO</td> <td><input type="checkbox"/></td> </tr> </table> </td> </tr> </table>	after the heating mat has been laid	<table border="1"> <tr> <td>YES</td> <td><input type="checkbox"/></td> </tr> <tr> <td>NO</td> <td><input type="checkbox"/></td> </tr> </table>	YES	<input type="checkbox"/>	NO	<input type="checkbox"/>	after the floor has been completed (applies only to ELEKTRA WoodTec TM)	<table border="1"> <tr> <td>YES</td> <td><input type="checkbox"/></td> </tr> <tr> <td>NO</td> <td><input type="checkbox"/></td> </tr> </table>	YES	<input type="checkbox"/>	NO	<input type="checkbox"/>
after the heating mat has been laid	<table border="1"> <tr> <td>YES</td> <td><input type="checkbox"/></td> </tr> <tr> <td>NO</td> <td><input type="checkbox"/></td> </tr> </table>	YES	<input type="checkbox"/>	NO	<input type="checkbox"/>								
YES	<input type="checkbox"/>												
NO	<input type="checkbox"/>												
after the floor has been completed (applies only to ELEKTRA WoodTec TM)	<table border="1"> <tr> <td>YES</td> <td><input type="checkbox"/></td> </tr> <tr> <td>NO</td> <td><input type="checkbox"/></td> </tr> </table>	YES	<input type="checkbox"/>	NO	<input type="checkbox"/>								
YES	<input type="checkbox"/>												
NO	<input type="checkbox"/>												

Date	
Installer's signature	
Company stamp	

Caution: The measurement results of the heating core's resistance should not vary from the one given on the label with more than -5% +10%. Resistance of the heating wire insulation should be at least 50 M Ω when measured with megohmmeter (Insulation Resistance Tester) with a rated voltage of 1000V.



NOTE!

**Place the self-adhesive rating plate
attached to the product here
(must be carried out prior to installing
the heating system)**

**MATY GRZEJNE
ELEKTRA**

WoodTec™



przeznaczone do układania
pod panele podłogowe
i pod deski warstwowe

Installation manual



UK

Instrukcja montażu



PL



Инструкция по монтажу



RU

Zastosowanie

Maty grzejne **ELEKTRA WoodTec™** przeznaczone są do ogrzewania podłóg wykonanych z paneli podłogowych lub desek warstwowych.

Służą jako uzupełniający system grzewczy w celu uzyskania ciepłej podłogi. W obiektach o bardzo dobrych parametrach cieplnych mogą pełnić rolę podstawowego systemu grzewczego.

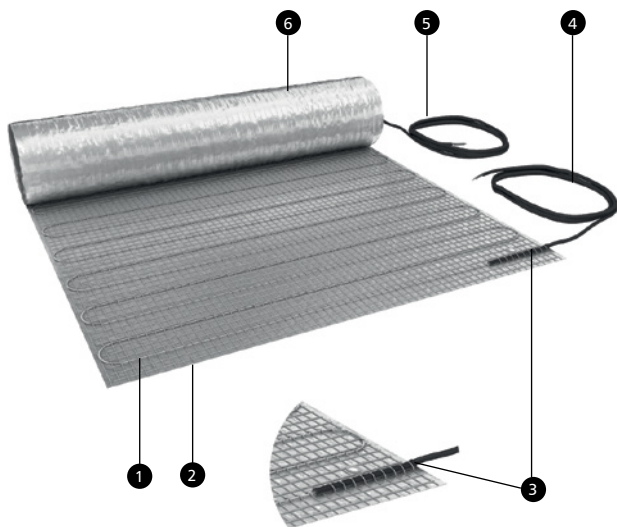
Charakterystyka

Maty grzejne **ELEKTRA WoodTec™** o szerokości 50 cm i długości od 4,0 do 26,0 m, składają się z przewodu grzejnego przyklejonego do siatki z tworzywa sztucznego z jednej strony, z drugiej przykrytego na całej powierzchni folią aluminiową. Folia aluminiowa stanowi ekran ochronny przewodów grzejnych. Istnieje możliwość instalowania dwóch lub większej ilości mat w jednym pomieszczeniu.

W takim przypadku maty należy połączyć równolegle.

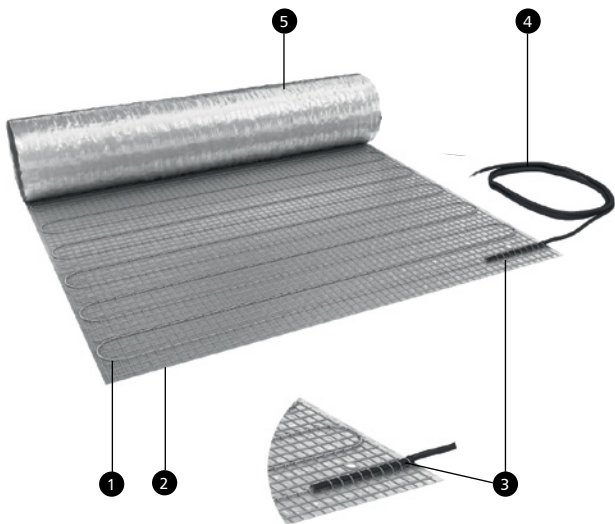
Mata grzejna **ELEKTRA WoodTec₁™** ma 1,9 mm grubości i zakończona jest z dwóch stron przewodem zasilającym o długości 4,0 m.

Mata grzejna **ELEKTRA WoodTec₂™** ma 2,8 mm grubości i zakończona jest z jednej strony przewodem zasilającym o długości 4,0 m, z drugiej strony mufą.



Mata grzejna *ELEKTRA WoodTec₁*™

- ❶ przewód grzejny
- ❷ siatka z włókna szklanego
- ❸ „zimne złącze” (mufa) łączące przewód grzejny z przewodem zasilającym
- ❹ przewód zasilający jednożyłowy (L - czarny lub brązowy) z ekranem (PE)
- ❺ przewód zasilający jednożyłowy (N - niebieski) z ekranem (PE)
- ❻ folia aluminiowa - ekran



Mata grzejna *ELEKTRA WoodTec₂*™

- 1 przewód grzejny
- 2 siatka z włókna szklanego
- 3 „zimne złącze” (mufa) łączące przewód grzejny z przewodem zasilającym
- 4 przewód zasilający dwużyłowy (L - czarny lub brązowy, N - niebieski) z ekranem (PE)
- 5 folia aluminiowa - ekran

Uwaga:



Wartość mocy maty grzejnej może się różnić +5%, -10% od parametrów podanych na tabliczce znamionowej.

Maty grzejne wykonane są na napięcie znamionowe 230V/50 Hz.

Maty grzejne **ELEKTRA WoodTec™** mają na tabliczce znamionowej następujące piktogramy:



Matą grzejną zasilaną dwustronnie
(**ELEKTRA WoodTec₁™**)



Matą grzejną zasilaną jednostronnie
(**ELEKTRA WoodTec₂™**)



Matą grzejną instalowaną folią aluminiową do góry



Bezpośrednie ogrzewanie podłóg

Materiały i narzędzia

wymagane do instalacji maty grzejnej

- mata grzejna *ELEKTRA WoodTec™* – w opakowaniu
 - rurki ochronne (peszel)
o długości 1,5 i 2,5 m – w opakowaniu
 - pogłębiona puszka
instalacyjna – w opakowaniu
 - 2 złączki elektryczne
(tylko *ELEKTRA WoodTec₁™*) – w opakowaniu
 - paski taśmy samoprzylepnej
z klejem przewodzącym – w opakowaniu
 - regulator temperatury – w opakowaniu
- opcja*
- nożyce
 - omomierz
 - narzędzia do wykucia bruzd
w ścianie i posadzce

Uwaga:



Nigdy nie można przeciąć przewodu grzejnego, przecinać można jedynie siatkę z tworzywa sztucznego oraz folię aluminiową.

Nigdy nie można skracać maty, jedynie przewód zasilający może być skracany, jeśli jest to konieczne.

Nigdy nie należy wykonywać samodzielnych napraw przewodu grzejnego, a w przypadku uszkodzenia przewodu należy to zgłosić instalatorowi uprawnionemu przez firmę ELEKTRA.

Uwaga:



Nigdy nie należy maty poddawać nadmiernemu naciąganiu i naprężaniu oraz uderzeniom ostrymi narzędziami.

Nigdy nie należy zginać mufy połączeniowej i zakończeniowej.

Nigdy nie należy układać maty, jeżeli temperatura otoczenia spadnie poniżej -5°C .

Nigdy nie należy instalować maty w miejscach, gdzie przewidziano stałą zabudowę (np. szafy bez nóżek).

Nigdy do montażu nie należy stosować materiałów innych niż zalecane w instrukcji.

Nigdy do montażu maty nie należy stosować gwoździ, ani śrub.

Uwaga:



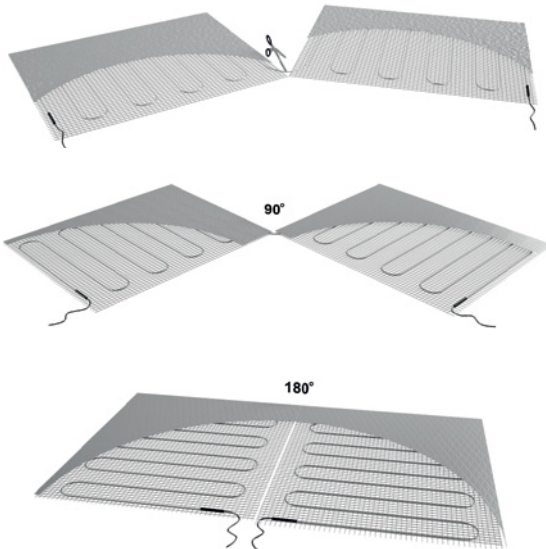
Matę grzejną należy zawsze instalować zgodnie z instrukcją.

Podłączenie maty do sieci elektrycznej zawsze należy powierzyć instalatorowi z uprawnieniami elektrycznymi.

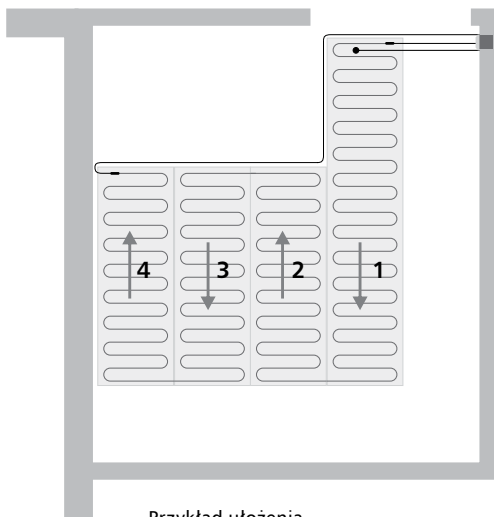
Matą grzejną powinna być zawsze oddalona od innych źródeł ciepła (np. od rur z ciepłą wodą) nie mniej niż 50 mm.

Wybór maty grzejnej

Dobierając długość maty grzejnej (szerokość maty jest stała i wynosi 50 cm), lub kilku mat, jeżeli wymaga tego wielkość pomieszczenia, należy rozplanować jej (ich) ułożenie na powierzchni całego pomieszczenia lub na wybranych fragmentach, uwzględniając możliwości nadania macie grzejnej wymaganego kształtu. Nie wolno układać maty w miejscach planowanej stałej zabudowy pomieszczenia. Macie grzejnej można nadać pożądany kształt poprzez cięcie siatki oraz folii aluminiowej (nie można przeciąć przewodu grzejnego) i obracaniu maty w odpowiednim kierunku.



Sposoby nadawania macie grzejnej odpowiedniego kształtu



Przykład ułożenia
maty grzewczej w kuchni

Wybór regulatora temperatury

Nieodzownym elementem systemu ogrzewania podłogowego jest regulator temperatury.

Za pomocą regulatora podłączamy matę do instalacji elektrycznej. Regulator zapewnia pożądaną temperaturę podłogi lub powietrza.

- Jeżeli maty grzejne są jedynie uzupełnieniem istniejącego już (podstawowego) systemu grzewczego, to użytkownika interesuje ciepła podłoga - wówczas należy zastosować regulator temperatury wyposażony wyłącznie w czujnik podłogowy, który pozwala na utrzymanie pożądanej temperatury podłogi.
- Jeżeli maty grzejne są podstawowym źródłem ogrzewania, to użytkownika interesuje uzyskanie optymalnej temperatury powietrza w pomieszczeniu – wówczas należy zastosować regulator temperatury mierzący temperaturę powietrza, tzn. regulator z czujnikiem powietrznym i zabezpieczającym czujnikiem podłogowym (ten typ regulatora mierzy temperaturę powietrza, a jednocześnie czujnik podłogowy zabezpiecza podłogę i matę grzejną przed przegrzaniem).

Do sterowania temperatury można zastosować regulator elektroniczny, który utrzymuje stałą temperaturę lub regulator elektroniczny z programatorem posiadający możliwość programowania temperatury w cyklu dziennym oraz tygodniowym.

typ ogrzewania	typ regulatora temperatury	
	elektroniczny	elektroniczny programowalny
pomocnicze ciepła podłoga	ELEKTRA OTN 1991 OTD2 1999	ELEKTRA OWD5 1999 OCD4 1999 OCD5 1999 DIGI2p
podstawowe	ELEKTRA OTD2 1999	ELEKTRA OWD5 1999 OCD4 1999 OCD5 1999



Regulator temperatury
 można umieścić we wspólnej ramce
 z wyłącznikiem oświetlenia



Czujnik temperatury

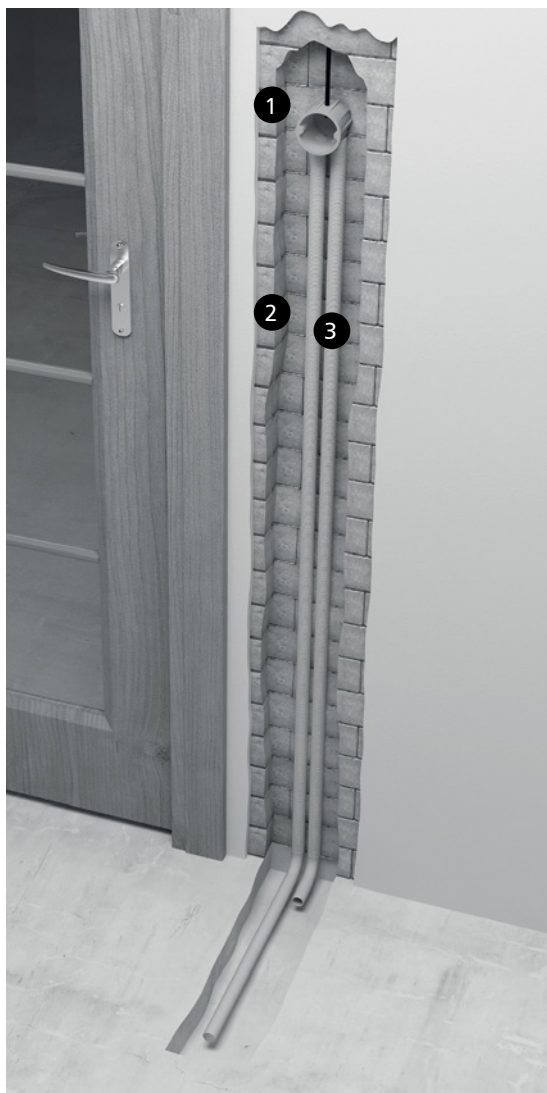
ETAP I - etap wstępny

Na tym etapie należy:

1. Wybrać miejsce na regulator temperatury
- ze względów estetycznych i praktycznych najlepiej obok wyłączników oświetlenia (regulator można instalować we wspólnej ramce z wyłącznikami oświetlenia).
2. Zainstalować pogłębioną puszkę elektryczną, w której zostanie umieszczony regulator temperatury.
3. Do puszki elektrycznej należy doprowadzić przewód zasilający (trójżyłowy).
4. Z puszki elektrycznej należy wyprowadzić 2 rurki ochronne typu peszel (średnica 15mm) do posadzki. Należy umieścić je w uprzednio wykonanych bruzdach w ścianie oraz w posadzce. Głębokość bruzdy w posadzce, powinna wynieść ok. 10-12 mm. Do jednej z rurek wprowadzony zostanie (na etapie instalacji maty) przewód z czujnikiem temperatury, do drugiej przewody zasilające maty.

Rurki ochronne na styku ściany z posadzką nie mogą być zgięte pod kątem prostym (należy zachować kształt łuku).

- 1 Pogłębiona puszka instalacyjna - zostanie w niej zainstalowany regulator temperatury
- 2 Rurka ochronna - w tej rurce umieszczony będzie czujnik temperatury podłogi
- 3 Rurka ochronna - do tej rurki wciągnięte będą przewody zasilające maty



ETAP II - układanie maty grzejnej

Podłoże pod panele podłogowe powinno być równe, gładkie, suche i stabilne (dopuszczalne odchylenia posadzki od poziomu nie mogą być większe niż 2 mm/m²).

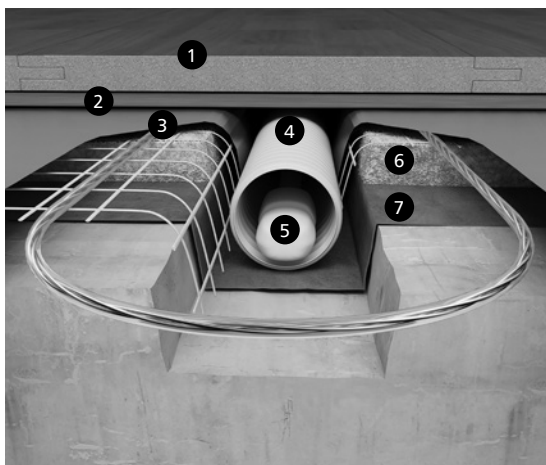
1. Na przygotowanym podłożu należy rozłożyć folię paroizolacyjną (folię polietylenową) o grubości min 0,2 mm na zakład o szerokości min 20 cm. Folie należy wywinąć na ściany na wysokość ok. 5 cm.

Przed układaniem warstwy wyrównującej oraz maty grzejnej, czujnik temperatury wraz z przewodem należy umieścić we wcześniej przygotowanej rurce ochronnej (peszlu). Czujnik temperatury powinien być umieszczony tuż pod powierzchnią ogrzewaną. Nad rurką ochronną (peszlem) na odcinku podłogi, już po rozłożeniu warstwy wyrównującej, oraz maty grzejnej, trzeba będzie wyciąć ich fragment, w celu zachowania płaszczyzny. Przewód czujnika temperatury należy doprowadzić do puszki elektrycznej.

Uwaga:



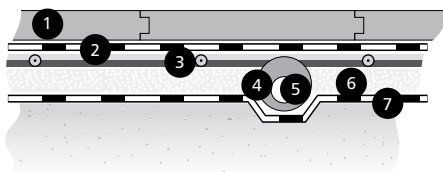
Przewód z czujnikiem temperatury powinien znajdować się w równej odległości między przewodami grzejnymi maty.



Sposób umieszczenia czujnika temperatury

- 1 Laminowany panel podłogowy
- 2 Warstwa poślizgowa (folia PE)
- 3 Mata grzejna **ELEKTRA WoodTec™**
- 4 Rurka ochronna
- 5 Czujnik podłogowy
- 6 Warstwa wyrównująca
- 7 Folia paroizolacyjna (folia PE)

2. Na folii paroizolacyjnej należy ułożyć warstwę wyrównującą o grubości min. 6mm. Wybierając warstwę wyrównującą należy wziąć pod uwagę jej parametry cieplne. Im lepsze parametry cieplne tym krótszy proces nagrzewania się paneli. Wymogi te najlepiej spełnia podkład pod panele z polistyrenu ekstrudowanego (XPS).



- 1 Laminowany panel podłogowy
- 2 Warstwa poślizgowa (folia PE)
- 3 Mata grzejna ELEKTRA WoodTec™
- 4 Rurka ochronna
- 5 Czujnik podłogowy
- 6 Warstwa wyrównująca
- 7 Folia paroizolacyjna (folia PE)

3. Teraz należy przystąpić do układania maty.
Matę grzejną układamy zawsze folią aluminiową do góry.

Uwaga:



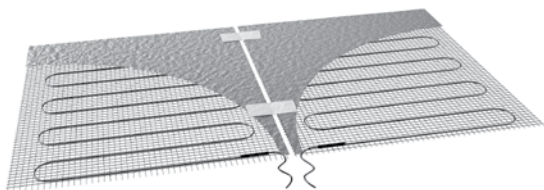
Warstwa wyrównująca w obszarze przeznaczonym pod zabudowę lub w obszarze nieogrzewanym (na którym nie ma maty) powinna być grubsza o 2mm lub wypełniona dodatkową 2mm warstwą zapobiegającą powstawaniu nierówności na panelu w miejscu ułożenia maty grzejnej.

Po rozłożeniu maty, pod „zimnymi złączami” i przewodem zasilającym, które są grubsze od samej maty, należy wyciąć podkład wyrównujący i ewentualnie podkuć posadzkę w celu zachowania płaszczyzny.

Przewody zasilające maty prowadzimy w rurce ochronnej (peszlu) do puszkii elektrycznej. Jeżeli przewód zasilający okaże się za krótki, można go przedłużyć za pomocą złązek elektrycznych.

Do wciągnięcia przewodów w peszel, można użyć tzw. „pilota”.

Jeżeli w trakcie nadawania macie grzejnej wymaganego kształtu, folia aluminiowa została przecięta, należy przykleić co najmniej dwa paski z samoprzylepnej folii aluminiowej z klejem przewodzącym, łącząc pasy maty w sposób jak pokazano na rysunku. Folia aluminiowa maty grzejnej pełni rolę ekranu ochronnego przewodów grzejnych i musi być połączona ze sobą elektrycznie.



Połączenie rozciętej folii aluminiowej

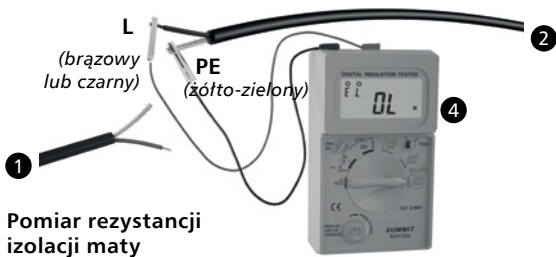
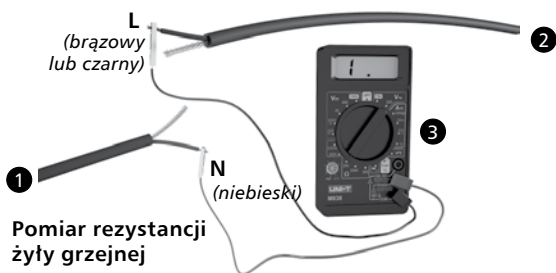
4. Na ułożoną matę grzejną należy rozłożyć warstwę poślizgową (folię polietylenową) o grubości 0,2 mm, w celu zabezpieczenia folii aluminiowej maty grzejnej przed ewentualnym przetarciem.
5. Po ułożeniu maty grzejnej należy wykonać pomiar
 - rezystancji żyły grzejnej
 - rezystancji izolacji maty
 - ciągłości ekranu maty (folii aluminiowej) (jeżeli w trakcie nadawania macie grzejnej pożądanego kształtu folia aluminiowa została przecięta)

Wyniki należy wpisać do Karty Gwarancyjnej. Po ułożeniu paneli podłogowych, pomiary trzeba powtórzyć i wyniki porównać.

Pomiary

- 1 Przewód zasilający maty
- 2 Przewód zasilający maty
- 3 Omomierz
- 4 Megaomomierz
- 5 Folia aluminiowa (ekran)

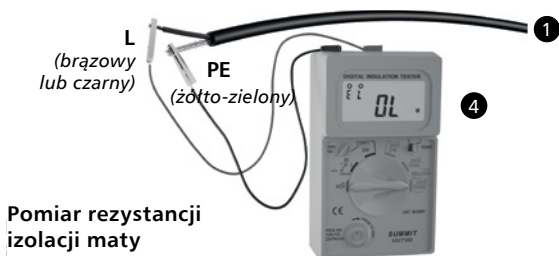
ELEKTRA WoodTec¹™ - pomiary



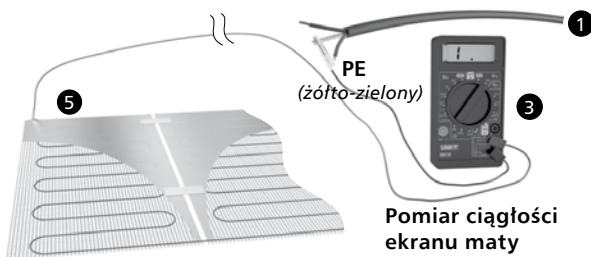
ELEKTRA WoodTec2™ - pomiary



**Pomiar rezystancji
żyły grzejnej**



**Pomiar rezystancji
izolacji maty**



**Pomiar ciągłości
ekranu maty**

Pomiar ciągłości ekranu należy wykonać mierząc omomierzem oporność pomiędzy ekranem (PE) przewodu zasilającego a folią aluminiową w najbardziej odległym od „zimnego złącza” pasie maty grzejnej.

Etap III - układanie paneli podłogowych

Po rozłożeniu maty grzejnej i zainstalowaniu czujnika temperatury oraz wprowadzeniu do puszek elektrycznej przewodów zasilających maty i przewodu czujnika temperatury można przystąpić do montażu paneli podłogowych.

Etap IV - montaż regulatora temperatury

Przed podłączeniem maty do instalacji elektrycznej poprzez regulator temperatury, należy ponownie wykonać pomiar rezystancji żyły i izolacji, oraz badanie ciągłości ekranu aby przekonać się czy w trakcie montażu paneli nie została uszkodzona mata grzejna. Wyniki należy wpisać do Karty Gwarancyjnej.

Podłączenie maty grzejnej do instalacji elektrycznej powinno być wykonane przez instalatora posiadającego uprawnienia elektryczne.

Podłączenie przewodów:

1. zasilających sieci elektrycznej
2. zasilających maty grzejnej
3. czujnika temperatury

w puszcze elektrycznej z regulatorem temperatury należy wykonać zgodnie ze schematem opisanym w instrukcji regulatora temperatury.

Uwaga:



Przewód ochronny przewodu grzejnego (żyła żółto-zielona) należy połączyć z przewodem ochronnym (żółto-zielonym) instalacji elektrycznej za pomocą specjalnego zacisku \perp w regulatorze temperatury. Jeżeli takiego zacisku nie ma, podłączenie to należy wykonać oddzielnie, za pomocą złączki rozgałęźnej (kostki), którą umieszczamy w puszcze instalacyjnej. Jeżeli w pomieszczeniu zainstalowana została więcej niż jedna mata, maty należy połączyć równolegle, tzn przewody jednoimienne do tego samego zacisku regulatora.

Ochrona przeciwporażeniowa

Instalacja zasilająca matę grzejną powinna być wyposażona w wyłącznik różnicowoprądowy o czułości $\Delta \leq 30\text{mA}$.

Eksploatacja

Obsługa systemu grzejnego ogranicza się do nastawienia pożądanej temperatury podłogi za pomocą regulatora temperatury.

Należy pamiętać, że grzejnikiem jest cała powierzchnia podłogi lub jej część i dlatego nie wolno wprowadzać takich zmian w umeblowaniu, czy w przeznaczeniu pomieszczeń, które utrudniłyby oddawanie ciepła z ogrzewanej podłogi.

Dlatego też, nie należy stawiać na podłodze dużych powierzchniowo przedmiotów, np. materacy czy mebli bez nóg, które całą powierzchnią przylegałyby do podłogi.

W podłodze wolno wiercić otwory po upewnieniu się, gdzie ułożone są przewody grzejne maty (na podstawie dokumentacji powykonawczej lub trasy przewodu grzejnego maty zlokalizowanej odpowiednim przyrządem).

Gwarancja

ELEKTRA udziela 20-letniej gwarancji (licząc od daty zakupu) na maty grzejne ELEKTRA WoodTec™.

Warunki gwarancji

1. Uznanie reklamacji wymaga:
 - a) wykonania instalacji grzewczej zgodnie z niniejszą instrukcją montażu
 - b) podłączenia przez instalatora posiadającego uprawnienia elektryczne
 - maty grzejnej
 - regulatora temperatury
- do instalacji elektrycznej i wykonania pomiarów

- rezystancji żyły grzejnej
 - ciągłości ekranu (folii aluminiowej)
- c) przedstawienia poprawnie wypełnionej Karty Gwarancyjnej
 - d) dowodu zakupu maty grzejnej
 - e) wyposażenia instalacji zasilającej obwód grzejny w wyłącznik różnicowo-prądowy.
2. Gwarancja traci ważność w przypadku dokonywania napraw przez osoby inne niż instalator uprawniony przez firmę ELEKTRA.
 3. Gwarancja nie obejmuje uszkodzeń spowodowanych:
 - a) uszkodzeniami mechanicznymi
 - b) niewłaściwym zasilaniem
 - c) wykonaniem instalacji elektrycznej niezgodnie z obowiązującymi przepisami.
 4. ELEKTRA w ramach gwarancji zobowiązuje się do poniesienia kosztów związanych wyłącznie z naprawą wadliwej maty grzejnej.
 5. Gwarancja na sprzedany towar konsumpcyjny nie wyłącza, nie ogranicza ani nie zawiesza uprawnień kupującego wynikających z niezgodności towaru z umową.

Uwaga:

Reklamacje należy składać wraz z Kartą Gwarancyjną oraz dowodem zakupu w miejscu sprzedaży maty grzejnej lub w firmie ELEKTRA.



Karta Gwarancyjna

Karta gwarancyjna musi być zachowana przez Klienta przez cały okres gwarancji tj. 20 lat. Okres gwarancji obowiązuje od daty zakupu.

ELEKTRA
WoodTecTM

MIEJSCE INSTALACJI

Adres	
Kod pocztowy	Miejscowość

Reklamacje należy składać wraz z niniejszą Kartą Gwarancyjną oraz dowodem zakupu w miejscu sprzedaży

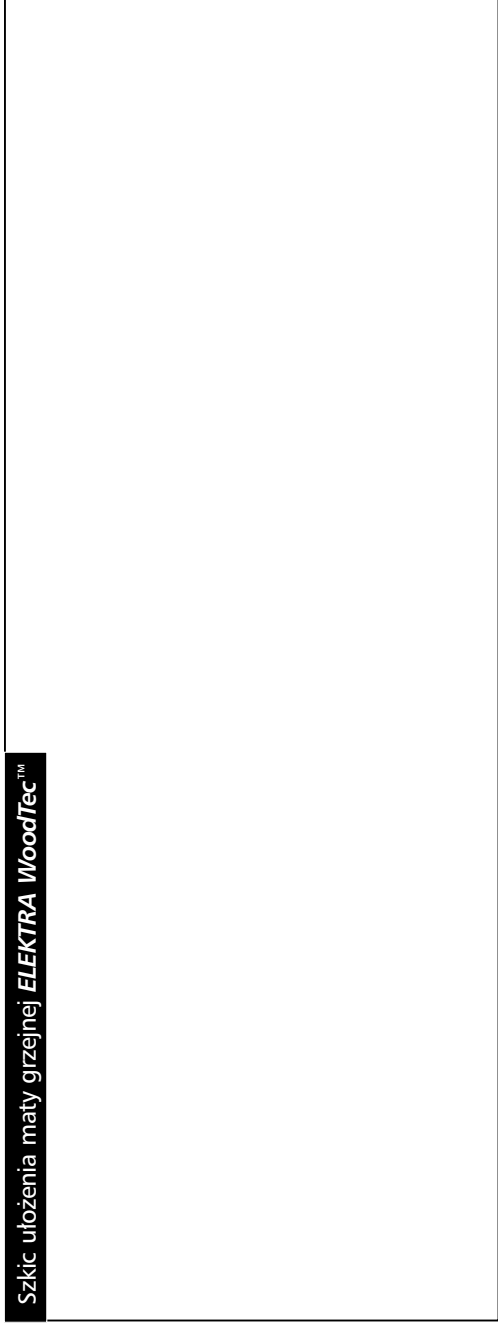
WYPELNIŃ INSTALATOR

Imię i nazwisko	Numer uprawnień elektrycznych:	
Adres	E-mail	
Kod pocztowy	Miejscowość	Tel.
		Fax

Uwaga: Instalator zobowiązany jest dostarczyć dokumentację powykonawczą użytkownikowi.



Szkic ułożenia maty grzejnej **ELEKTRA WoodTec™**



Uwaga: Szkic powinien zawierać odległości maty grzejnej od ścian pomieszczenia lub stałej zabudowy, miejsce ułożenia czujnika temperatury oraz przewodów zasilających.



Wyniki pomiarów		
Rezystancja żyły grzejnej	po ułożeniu maty grzejnej Ω	
	po ułożeniu podłogi Ω	
Rezystancja izolacji przewodu grzejnego	po ułożeniu maty grzejnej $M\Omega$	
	po ułożeniu podłogi $M\Omega$	
Ciągłość ekranu rezystancja poniżej 0,2 Ω	po ułożeniu maty grzejnej	TAK <input type="checkbox"/> NIE <input type="checkbox"/>
	po ułożeniu podłogi	TAK <input type="checkbox"/> NIE <input type="checkbox"/>
	(dotyczy tylko <i>ELEKTRA WoodTec1™</i>)	

Data	
Podpis instalatora	
Pieczętka firmy	

Uwaga: Wynik pomiaru rezystancji żyły grzejnej nie powinien różnić się od wartości podanej na tabliczce znamionowej o więcej niż -5% +10%. Rezystancja izolacji przewodu grzejnego maty zmierzona megaomierzem o napięciu znamionowym 1000V nie powinna być mniejsza od 50 $M\Omega$.



UWAGA!

**Tu należy wkleić samoprzylepną
tabliczkę znamionową,
która umieszczona jest na produkcie
(należy wykonać przed
zainstalowaniem ogrzewania)**

**НАГРЕВАТЕЛЬНЫЕ МАТЫ
ELEKTRA**

WoodTec[™]



предназначены для
установки под ламинат
или паркет

Installation manual  UK

Instrukcja montażu  PL

Инструкция по монтажу  RU 

Применение

Нагревательные маты **ELEKTRA WoodTec™** предназначены для обогрева полов с покрытием из паркета и ламината. Они могут устанавливаться в качестве дополнительной системы обогрева теплого пола. Хорошо подходят для зданий с основной системой отопления.

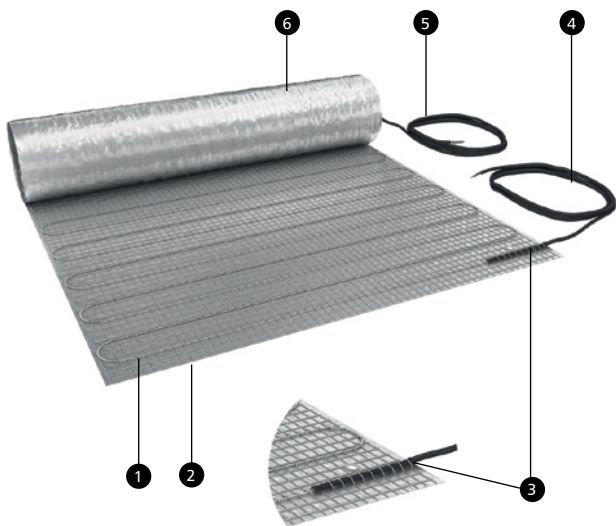
Характеристика

Нагревательные маты **ELEKTRA WoodTec™** шириной 50 см и длиной от 2,0 до 26,0 м. Нагревательный кабель с одной стороны приклеен к сетке

из стекловолокна, а с другой прикрыт по всей поверхности мата алюминиевой фольгой. Алюминиевая фольга является защитным экраном. Возможна установка в одном помещении двух или более матов. В таком случае их необходимо подключать параллельно друг другу.

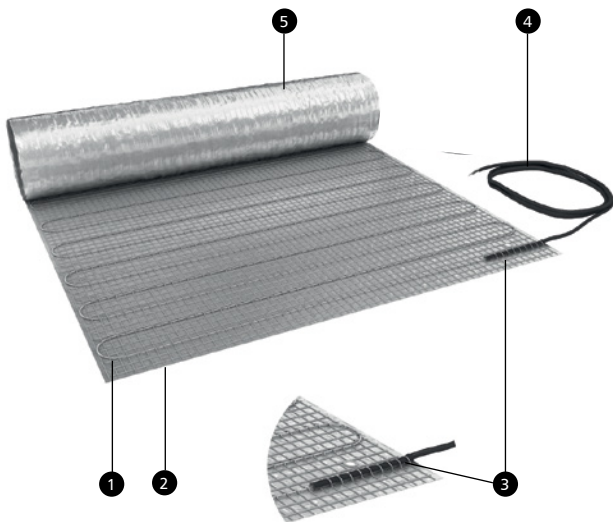
Нагревательные маты **ELEKTRA WoodTec₁™** имеют толщину **1,9 мм** и холодный конец длиной 4,0 м с двух сторон.

Нагревательные маты **ELEKTRA WoodTec₂™** имеют толщину **2,8 мм** и всего один холодный конец - 4,0 м в длину, а с другой стороны с коннектором.



Нагревательный мат *ELEKTRA WoodTec₁™*

- 1 нагревательный кабель
- 2 сетка из стекловолокна
- 3 муфта, соединяющая нагревательный кабель с проводом питания
- 4 провод питания (L черный или бронзовый) с экраном (PE)
- 5 провод питания (N синий) с экраном (PE)
- 6 алюминиевая фольга - экран



Нагревательный мат *ELEKTRA WoodTec₂*TM

- 1 нагревательный кабель
- 2 сетка из стекловолокна
- 3 муфта, соединяющая нагревательный кабель с проводом питания
- 4 двухжильный провод питания (L черный или бронзовый, N синий) с экраном (PE)
- 5 алюминиевая фольга - экран

Внимание:



Мощности нагревательных матов могут отличаться на +5%, -10% по сравнению с данными с этикетки на упаковке.

Нагревательные маты работают при номинальном напряжении 220/230В/50Гц.

Нагревательные маты **ELEKTRA WoodTec™** имеют следующие информационные пиктограммы:



Одножильный
нагревательный мат
двустороннего питания
(**ELEKTRA WoodTec₁™**)



Двухжильный
нагревательный мат
одностороннего питания
(**ELEKTRA WoodTec₂™**)



Нагревательный мат установлен
вверх алюминиевой
фольгой



Прямой обогрев полов

Материалы и инструменты

необходимые для монтажа нагревательного мата

- нагревательный мат
*ELEKTRA WoodTec*TM – в упаковке
- гофрированная трубка
длиной 1,5 и 2,5 м – в упаковке
- монтажная коробка – в упаковке

- 2 клеммника
только *ELEKTRA WoodTec*₁TM – в упаковке
- клейкие полоски ленты
проводящего клея – в упаковке
- терморегулятор – в упаковке
опция

- ножницы
- омметр
- инструмент для вырубки
штробы

Внимание:



Запрещается перерезать нагревательный кабель, можно перерезать только сетку из стекловолокна и алюминиевую фольгу.

Запрещается укорачивать нагревательный мат, можно сокращать только длину «холодного» конца, если это необходимо.

Запрещается самостоятельно производить ремонт нагревательного мата. В случае повреждения кабеля, об этом необходимо сообщить квалифицированному специалисту ELEKTRA.

Внимание:



Запрещается подвергать мат чрезмерному механическому напряжению и растяжению, а также соприкосновению с острыми предметами.

Никогда не изгибать соединительных муфт и прекращения.

Запрещается монтировать мат при температуре ниже -5°C .

Запрещается устанавливать мат на несвободной площади (например, в местах, где будет стоять шкаф без ножек).

Для установки мата **запрещается** применять материалы, не рекомендованные в инструкции.

Для установки мата **запрещается** применять гвозди или шурупы.

Внимание:



Нагревательный мат устанавливать **всегда** в соответствии с инструкцией по монтажу.

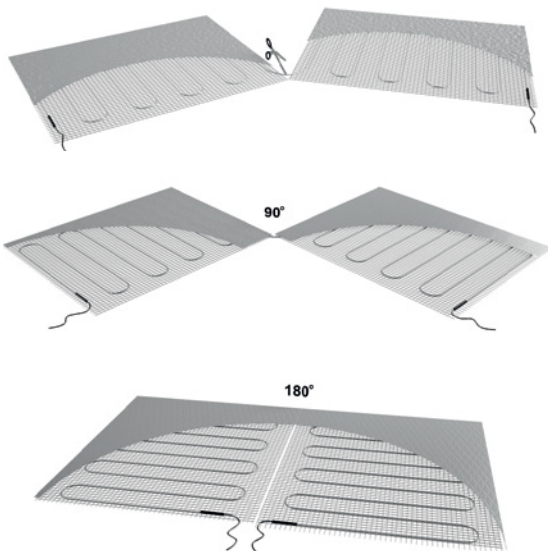
Подключение мата к электросети **должен** осуществлять только квалифицированный электрик, имеющий соответствующие разрешения.

Нагревательный мат **должен** быть отдалён от других источников тепла как минимум на 50 мм (например, от труб с тёплой водой).

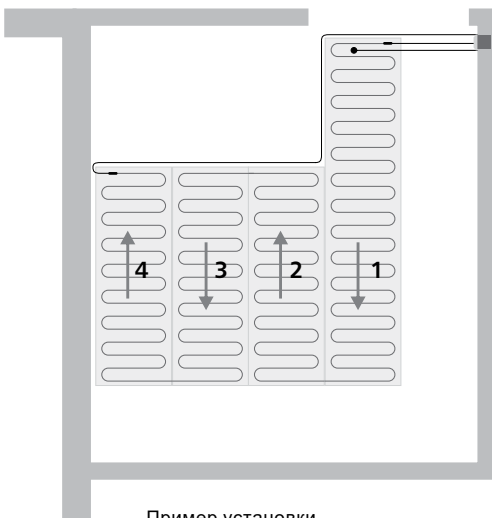
Выбор нагревательного мата

Выбирая длину нагревательного мата (ширина у всех матов составляет 50 см), или нескольких матов, для обогрева больших помещений, следует разместить маты по всей площади помещения или на выбранных участках.

Запрещается укладывать мат на несвободной площади. Нагревательному мату можно придать требуемую форму путём разрезания сетки и алюминиевой фольги (запрещается разрезать нагревательный кабель) и развороту мата в нужном направлении.



Способы укладки нагревательного мата.



Пример установки
нагревательного мата в кухне

Выбор терморегулятора

Необходимым элементом систем отопления пола является терморегулятор. При помощи термо-регулятора нагревательный мат подключается к электросети. Терморегулятор регулирует необходимую температуру пола и воздуха.

- Если нагревательный мат является дополнением к основной системе отопления следует использовать терморегулятор с датчиком температуры пола, поддерживающий требуемую температуру пола.
- Если нагревательные маты являются основным источником обогрева помещения и потребителя интересует получение оптимальной температуры воздуха в помещении необходимо использовать терморегулятор с датчиком температуры воздуха и защитным датчиком температуры пола (этот тип терморегулятора измеряет температуру воздуха, а защитный датчик предохраняет пол и нагревательный мат от перегрева).

Для регулирования температуры можно использовать электронный терморегулятор, который поддерживает постоянную температуру или электронный программируемый терморегулятор, с помощью которого можно задать суточную или недельную программу температуры пола.

Тип обогрева	Тип терморегулятора	
	электронный	электронный программируемый
вспомогательное	ELEKTRA OTN 1991 OTD2 1999	ELEKTRA OWD5 1999 OCD4 1999 OCD5 1999 DIGI2p
основное	ELEKTRA OTD2 1999	ELEKTRA OWD5 1999 OCD4 1999 OCD5 1999



Терморегулятор
 можно разместить в одной рамке
 с выключателем света



Датчик температуры

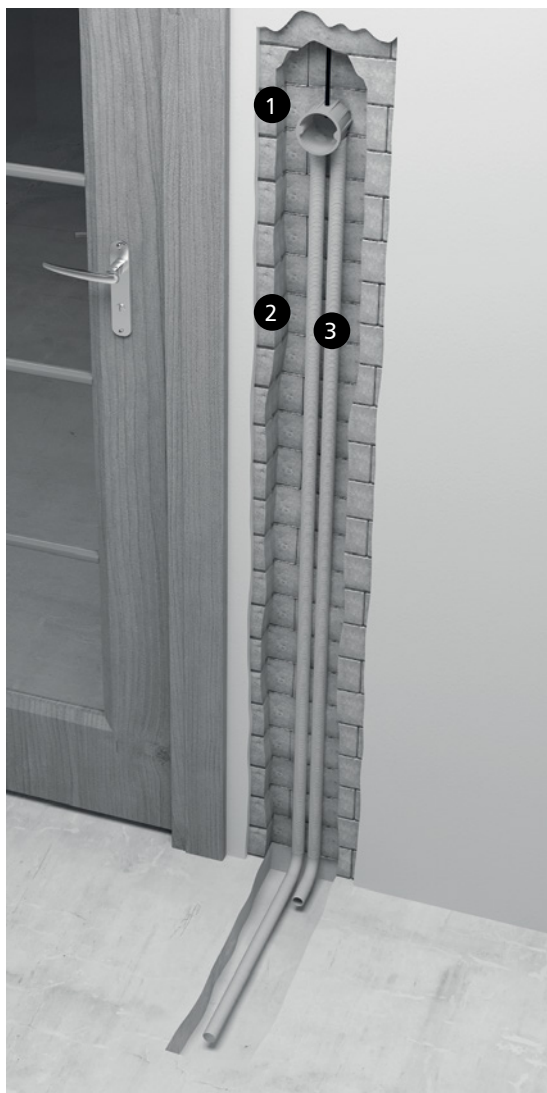
ЭТАП I - вступительный этап

На этом этапе следует:

1. Выбрать место для терморегулятора
- с эстетической и практической точек зрения, терморегулятор лучше всего размещать рядом с выключателями света (терморегулятор можно разместить в одной рамке с выключателем).
2. Установить монтажную коробку, в которой будет размещён терморегулятор.
3. К монтажной коробке необходимо подвести «холодный» конец нагревательного мата.
4. Из монтажной коробки необходимо вывести в пол 2 гофрированные трубки (диаметром 15 мм). Трубки следует разместить в предварительно сделанных штробах в стене и полу. Глубина штробы в полу должна составить 10-12 мм. На этапе монтажа мата в одну из трубок будет помещен кабель с датчиком температуры, во вторую - «холодные» концы нагревательного мата.

Гофрированные трубки в местах соединения пола и стены нельзя сгибать под прямым углом (следует предать форму дуги).

- 1 Монтажная коробка и терморегулятор
- 2 Гофрированная трубка для датчика температуры пола
- 3 Гофрированная трубка для «холодных» концов нагревательного мата



ЭТАП II - укладка нагревательного мата

Основание, на которое устанавливается деревянный пол, должно быть ровным, гладким и сухим (допустимые отклонения основания от горизонтального положения не должны превышать 2 мм/м²).

1. На подготовленном основании разложить пароизоляцию (полипропиленовую фольгу) толщиной мин. 0,2 мм, закладывая один фрагмент на другой с запасом в 20 см. Фольгу следует развернуть на стены на высоту около 5 см.

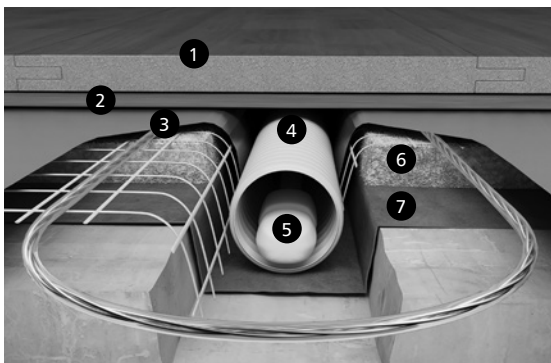
Перед установкой подложки под ламинат и укладкой нагревательного мата, датчик температуры и «холодные» концы разместить в гофрированную трубку. Датчик температуры должен находиться под обогреваемой поверхностью.

Чем ближе к основанию деревянного пола будет находиться датчик, тем точнее будут его измерения. Провод датчика температуры нужно вывести в монтажную коробку.

Внимание:



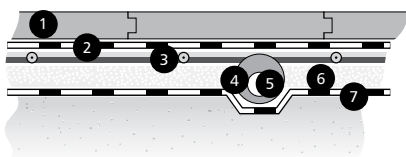
Кабель с датчиком температуры должен находиться на равном расстоянии между нагревательными кабелями мата.



Расположение датчика температуры

- 1 Ламинат
- 2 Полиэтиленовая пленка
- 3 Нагревательный мат **ELEKTRA WoodTec™**
- 4 Гофрированная трубка
- 5 Датчик температуры пола
- 6 Выравнивающая подложка под ламинат
- 7 Пароизоляция

2. Для размещения датчика температуры в подготовленном основании необходимо сделать углубление. Затем разложить пароизоляцию и разместить гофрированную трубку с датчиком температуры в углублении. На пароизоляции разложить выравнивающую подложку толщиной не менее 6 мм. В месте пролегания гофрированной трубки с датчиком температуры в подложке делается разрез. При выборе выравнивающей подложки необходимо учитывать ее тепловые параметры. Чем выше тепловые параметры, тем быстрее будет нагреваться пол. Данным требованиям соответствует выравнивающая стяжка из экструдированного полистирена (XPS).



- ❶ Ламинат
- ❷ Полиэтиленовая пленка
- ❸ Нагревательный мат *ELEKTRA WoodTec™*
- ❹ Гофрированная трубка
- ❺ Датчик температуры пола
- ❻ Выравнивающая подложка под ламинат
- ❼ Пароизоляция

3. Укладка нагревательного мата.

Нагревательные маты устанавливаются всегда алюминиевой фольгой вверх.

Внимание:



Выравнивающийся слой в месте, где нагревающаяся пленка не будет положена, должен быть выше на 2 мм.

«Холодные» концы нагревательного мата значительно толще нагревательного кабеля, поэтому для сохранения ровной поверхности, в выравнивающей подложке и в полу, если есть необходимость, сделать углубление.

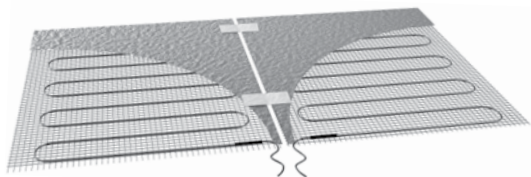
«Холодные» концы провести вдоль стены к монтажной коробке в которой будет установлен терморегулятор.

Если «холодный» конец окажется коротким, его можно удлинить. «Холодные» концы помещаются в гофрированную трубку и подводятся к монтажной коробке. На участке соединения нагревательного кабеля с холодным концом необходимо вырезать

в полу небольшое углубление для сохранения ровной поверхности. Если холодный конец слишком короткий, его можно удлинить при помощи электрических коннекторов.

Для установки кабелей в гофрированную трубку можно использовать контур.

Если во время формирования желаемой формы нагревательного мата алюминиевая фольга будет сокращена, необходимо прикрепить а не менее двух самоклеящиеся полосы из алюминиевой фольги с проводящим клеем, совмещая мата полосами, как показано на рисунке. Алюминиевый скотч нагревательного мата защищает экран нагревательного кабеля и не должен разрываться.



Соединение разрезанной алюминиевой фольги

4. После установки нагревательного мата необходимо измерить:

- сопротивление провода нагревательного мата
- сопротивление изоляции мата
- непрерывность экрана мата (алюминиевой фольги) - если алюминиевая фольга разрезается также по плану, как нагревательный мат

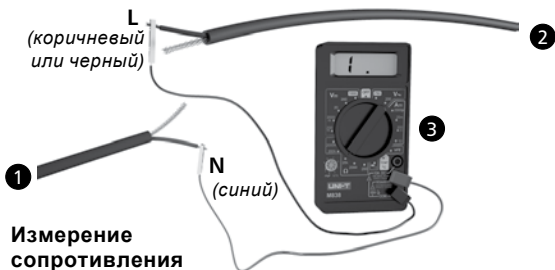
Результаты измерений необходимо записать в Гарантийный Талон.

После установки деревянного покрытия, необходимо снова повторить измерения и сравнить результаты. Это необходимо для подтверждения того, что нагревательный мат не был поврежден в процессе монтажа.

Измерения

- 1 «Холодный» конец нагревательного кабеля мата
- 2 «Холодный» конец нагревательного кабеля мата
- 3 Омметр
- 4 Мегомметр
- 5 Алюминиевая фольга - экран

ELEKTRA WoodTec¹™ - измерения



Измерение сопротивления нагревательного кабеля

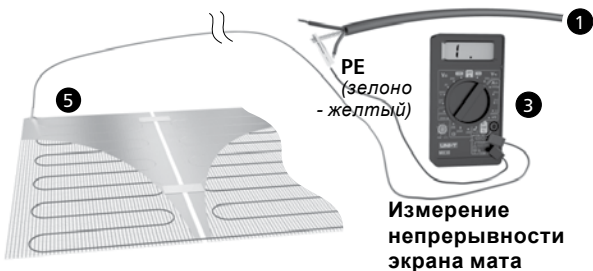
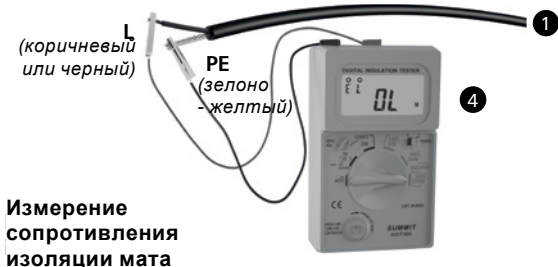


Измерение сопротивления изоляции мата



Измерение непрерывности экрана мата

ELEKTRA WoodTec2™ - измерения



Если Непрерывность экрана измеряется омметром путём измерения сопротивления между экраном (РЕ) провода питания и алюминиевой фольгой в наиболее удалённом от «холодного соединения» фрагменте обогревательного мата.

Этап III - укладка половых панелей

После установки нагревательного мата, датчика температуры, подведения в монтажную коробку «холодных» концов мата, кабеля датчика температуры и укладки полиэтиленовой пленки можно приступить к установке деревянного пола.

Этап IV - монтаж терморегулятора

Перед подключением мата к электросети через терморегулятор, следует ещё раз измерить сопротивления кабеля и изоляции. Также необходимо проверить непрерывность экрана, чтобы убедиться, что в процессе монтажа пола нагревательный кабель не был повреждён. Результаты необходимо записать в Гарантийный Талон.

Подключение нагревательного мата к электросети должен осуществлять квалифицированный электрик.

Присоединение проводов:

1. питающих проводов электросети
2. питающих «холодных» концов нагревательного мата
3. датчика температуры

Все соединения в монтажной коробке с терморегулятором следует осуществлять согласно схеме, указанной в инструкции на терморегулятор.

Внимание:



Защитные кабели мата (РЕ) следует соединять вместе с защитным проводом (зелёно-жёлтым) электросети с помощью специального зажима \perp в терморегуляторе. Если такого зажима нет, присоединение необходимо осуществить отдельно при помощи клеммника, который устанавливается в монтажной коробке. Если в помещении устанавливается больше одного мата, их следует подсоединить параллельно, то есть одинаковые провода к одному зажиму в терморегуляторе.

Защита от поражения током

«Холодные» концы нагревательного мата должны быть оснащены устройством дифференциальной защиты с током утечки $\Delta \leq 30\text{mA}$.

Эксплуатация

Обслуживание нагревательной системы ограничивается установкой желаемой температуры на терморегуляторе.

Следует помнить о том, что обогревается вся поверхность пола или её часть. Поэтому нельзя изменять расстановку мебели и предназначение помещений, ухудшающих отдачу тепла обогреваемым полом.

Также не следует устанавливать на полу предметы, занимающие большую площадь, например матрасы или мебель без ножек, которые всей поверхностью соприкасаются с полом.

В полу можно сверлить отверстия только после определения расположения нагревательных кабелей мата (на основании документации проведения монтажных работ или при помощи специальных приборов).

Гарантия

ELEKTRA предоставляет 20-летнюю гарантию на нагревательные маты *ELEKTRA WoodTec™* (гарантийный срок начинается с даты покупки).

Условия гарантии

1. Гарантийная осуществляется, если:
 - а) нагревательная система установлена в соответствии с данной инструкцией по монтажу
 - б) подключение нагревательного мата и терморегулятора к электросети, измерение сопротивления кабеля осуществляет квалифицированный электрик, имеющий документы, подтверждающие его квалификацию.

- в) Гарантийный Талон заполнен правильно
 - г) наличие документа, подтверждающего приобретение нагревательного мата (чек, счёт-фактура)
 - д) подключение с использованием устройств защиты.
2. Гарантия не действительна в случае осуществления ремонта лицами, не уполномоченными компанией ELEKTRA
3. Гарантия не распространяется на повреждения, полученные в результате:
- а) механических повреждений
 - б) несоответствие напряжения в электросети
 - в) монтажа электросистемы не по правилам инструкции.
4. ELEKTRA обязуется покрыть только стоимость ремонта неисправного нагревательного мата.

Внимание:



С претензиями обращаться на место приобретения нагревательного мата или в офис ELEKTRA, предъявляя Гарантийный Талон и чек, подтверждающий покупку мата.

Гарантийный Талон

Гарантийный талон должен храниться у клиента в течение всего периода гарантии 20 лет. Срок действия гарантии начинается с даты покупки нагревательного мата.

ELEKTRA
WoodTec™

МЕСТО УСТАНОВКИ

Адрес	
Почтовый индекс	Город

Претензии
предъявлять по месту
покупки при наличии
Гарантийного Талона
и товарного чека

Заполняет МОНТАЖНИК

Фамилия и имя	Номер свидетельства на право осуществлять электроработы	
Адрес	E-mail	
Почтовый индекс	Город	Тел.
		Факс

Внимание: Монтажник обязан предоставить полную документацию выполненных работ.



Чертеж установки нагревательного мата **ELEKTRA WoodTec™**

Внимание: Чертеж должен содержать расстояние нагревательного мата от стен или крупногабаритной мебели, место расположения датчика температуры и «холодных» концов.



Результаты измерений	
Сопротивление нагревательной жилы	после укладки нагревательного мата Ω
	после создания пола Ω
Сопротивление изоляции нагревательного кабеля	после укладки нагревательного мата $M\Omega$
	после создания пола $M\Omega$
Результат измерения сопротивления экрана должно быть менее $0,2 \Omega$	после укладки нагревательного мата ДА <input type="checkbox"/> НЕТ <input type="checkbox"/>
	после создания пола (только ELEKTRA WoodTecTM) ДА <input type="checkbox"/> НЕТ <input type="checkbox"/>

Дата	
Подпись монтажника	
Печать компании	

Внимание: Результат измерения сопротивления нагревательной жилы не должен отклоняться от значения указанного на заводской табличке, более чем на -5% и +10%. Сопротивление изоляции нагревательного кабеля измеренная мегаомметром с номинальным напряжением 1000 В не должно быть менее 50 $M\Omega$.



ПРИМЕЧАНИЕ:

**Разместите здесь
самоприклеяющуюся табличку с данными,
приложенную к продукту
(должна быть приклеена до установки
нагревательной системы)**